

P-5700 Tank Gauge

The simplest most effective way to meter chemicals is by using a Plainsman Tank Gauge. All tank gauges come with a calibrated rate scale and a universal volume height scale.

Features

- High visibility rate scale
- 1/2" NPT carbon steel connections (stainless available)
- Aluminum construction for corrosion resistance
- Floating sight ball for easy fluid level indication
- Dual calibration (rate and height) standard
- Teflon seals standard
- Available in a variety of lengths
- Retractable mounting bracket included

Technical Specifications

Wetted Parts:

Nipple: Carbon steel (stainless optional)

Seal: Teflon

Glass: Schott duran

Other Parts:

Body: Aluminum

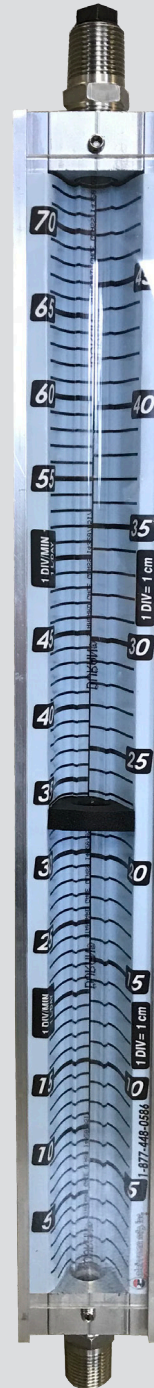
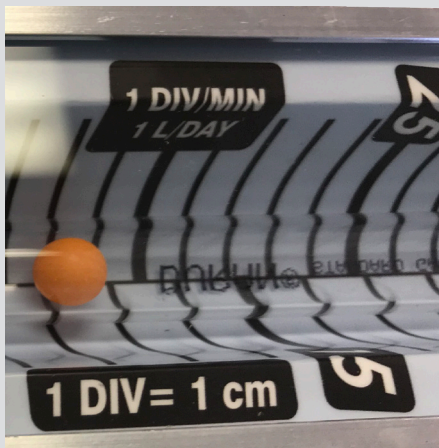
Scale: Metric height / rate

Ratings

Liquid

Height: 1 division = 1 cm

Rate: Measured in litre / 24 hrs, 1 division per minute



P-5700 TANK GAUGE

MADE IN CANADA



P-5700 TANK GAUGE



Ordering Information

Stock:

1) Order using model number from the table below

Custom:

- 1) Determine height required
- 2) Choose nipple material
- 3) Choose scale type
- 4) Construct model number from system below:

Model Numbering:

P5700-AA-BB-XYZ (i.e. P5700-52-48-CTM)

AA: overall length

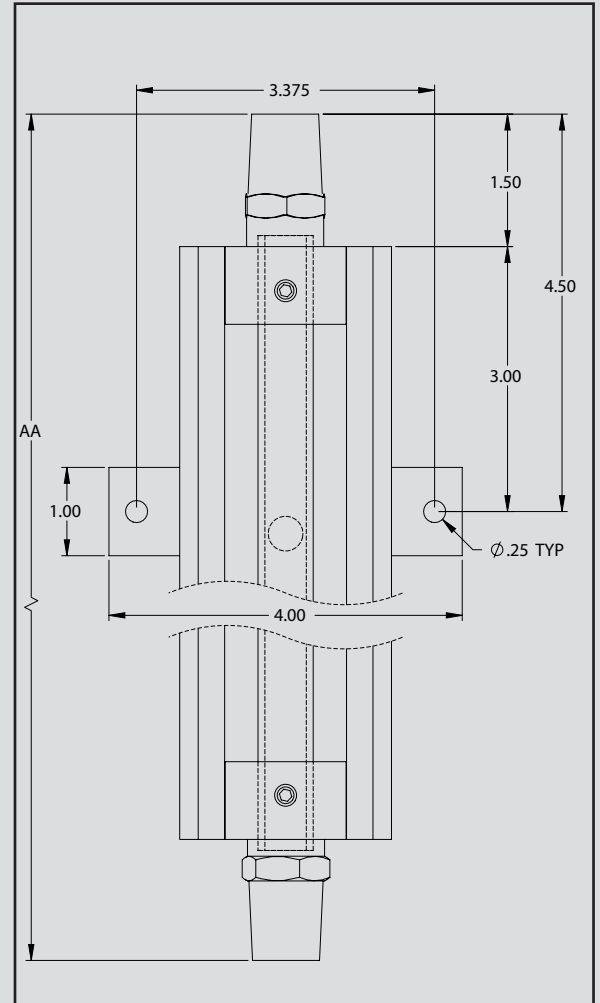
BB: scale length (BB = AA - 4 in.)

X: nipple material (C - carbon steel,
S - Stainless)

Y: seal material (T - TFE)

Z: scale type (M - Metric Rate/Height,
R - Rate, H - Height,
C - Clear, X - Special)

General Dimensions



MODEL#	LENGTH		MATERIAL		SCALE	PRESSURE RATING (PSI)
	'AA'	SCALE	NIPPLE	SEAL		
P5700-24-20-CTM	24"	20"	Carbon Steel	TFE	Metric R/H	185
P5700-36-32-CTM	36"	32"	Carbon Steel	TFE	Metric R/H	165
P5700-52-48-CTM	52"	48"	Carbon Steel	TFE	Metric R/H	140
P5700-60-56-CTM	60"	56"	Carbon Steel	TFE	Metric R/H	130
P5700-64-60-CTM	64"	60"	Carbon Steel	TFE	Metric R/H	120
P5700-72-68-CTM	72"	68"	Carbon Steel	TFE	Metric R/H	100
P5700-88-84-CTM	88"	84"	Carbon Steel	TFE	Metric R/H	n/a

Pressures at 150° F Max, No Corrosion. Glass is not recommended for use in steam or superheated water applications

MADE IN CANADA



Phone: 780-496-9800 Fax: 780-463-9800 Toll Free: 1-877-448-0586

www.plainsmanmfg.com

Specifications subject to change without notice

(8), PB-GAUT01